

## Overview

The Door Actuator from Advanced Smoke Group has been specially engineered with its slim-line, lightweight design to offer substantial space and cost savings in comparison to the current actuators on the market. Profiled steel components perfectly reduce the unit weight whilst offering unparalleled strength, durability and reliability. Advanced Smoke Group only sources the most reliable and high quality components, which are manufactured and assembled in the UK. This is to ensure it meets Advanced Smoke Group's stringent quality demands.

## Design

The Door Actuator has been specifically designed for use in lobby ventilators and designed to operate all standard fire doors on builders work smoke shafts.

With its innovative design, the Door Actuator allows for left or right hand operation. With easy fitment, directly securing the unit internally to the structure or head of the AOV door set.

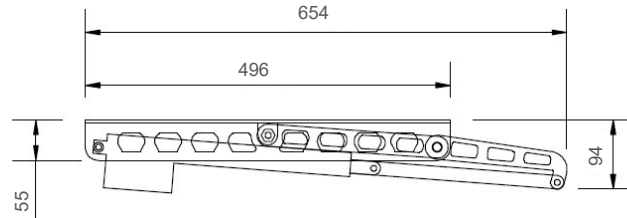
## Operation and Performance

With a 20 second opening cycle resulting in exceptionally fast smoke extraction compared to that of similar products, the Door Actuator allows for the clearance of smoke by the AOV in a remarkably quick time. The opening speed does not come at the expense of high power requirements with The Door Actuator having one of the lowest current ratings available on the market, where extensive motor load testing found that only 1.0amp was required for operation.

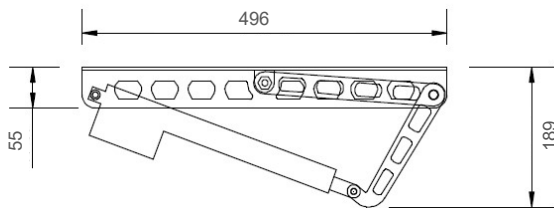
## Details

- Runs off 24V DC power
- Full steel construction
- Mounted internally within the shaft for discreet fitment
- Can be mounted to open in either direction
- Standard finish is powder coated black for a long life assurance against corrosion

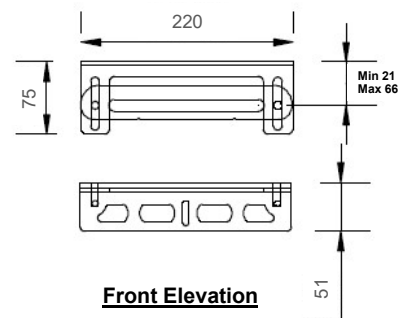
**Open Plan View**



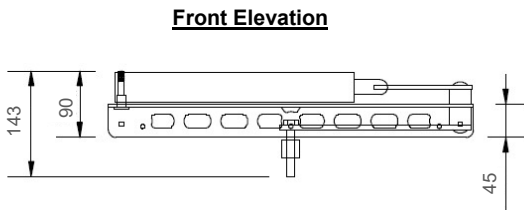
**Closed Plan View**



**Plan View**



**Front Elevation**



Indicative of Right- Hand Operation  
Folding Arm Actuator Weight= 4kg

Technical Specification*	
<b>Max Force</b>	800N
<b>Closing Force</b>	550N
<b>Actuation Time</b>	20 Seconds
<b>Current Consumption</b>	2.5A (max)
<b>Power</b>	24Vdc
<b>Orientation Options</b>	Left Hand or Right Hand
<b>Standard Finish</b>	Matte Black
*The AOV door panel angle of rotation is dependant on the actuator fixing position; an opening of up to 90° can be achieved.	