

Overview

The AOV-F provides a stylish, practical solution to the needs of mechanical ventilation.

This ventilator is designed to offer the equivalent fire rated construction of an E30Sa door which is a requirement of Approved document B.

Range of sizes available from 600x1250 to 730x1330 and with either a 250mm or 350mm stroke (see reverse).

Standard finish is RAL9010, other colour finishes can be applied on request.

Application

The AOV-F ventilator is suitable for lobby and corridor smoke ventilation, for both compliant and extended travel distance applications.

It comes in a variety of widths and opening depths to suit mechanical smoke extract shafts (shafts of typically 0.6m²). Our most popular unit gives a free area of 0.6m².

Please note that standard sizes are not suitable for "natural ventilation" systems.

Operation and Performance

The AOV-F ventilator is designed to sit at high level in the corridor wall with the smoke shaft behind. On detection of smoke the AOV-F (on the fire floor only) will open, by pivoting backwards into the shaft.

Operation is via a signal from a control panel (please refer to our information sheet on control panels) which activates the 24Vdc actuator, hidden and integral to the unit.

The opening provided gives the maximum free area in the smallest possible builder's work area, and also enhances discharge by providing an aerodynamically efficient turn to the air stream to improve the air movement.

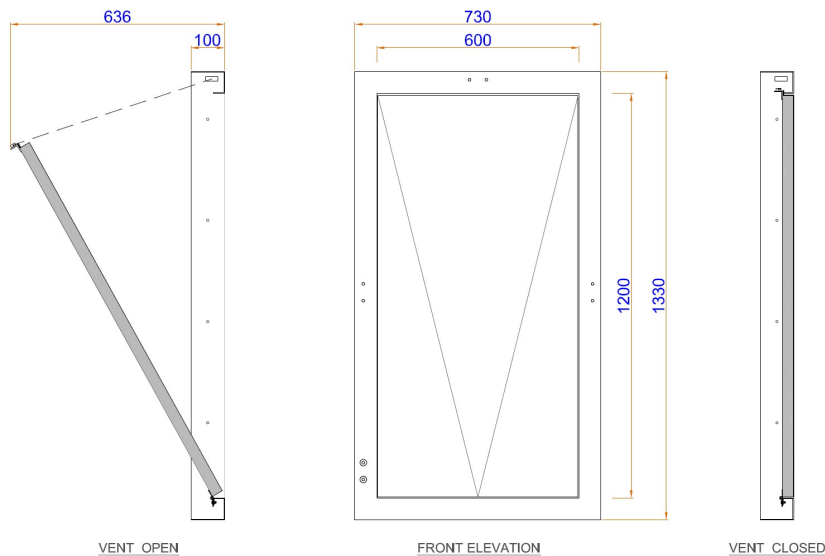
Installation and Maintenance

The AOV-F ventilator has been designed to be easy to install and maintain. It is supplied in its own frame that fits directly into the builder's work opening and is then screwed into place.

The actuator is pre-fitted and wired to an integral junction box.

Maintenance is minimal, and access is easy even after fitting due to a discreet concealed access points.





AOV F Lobby Ventilator
 730 x 1330
 Standard 350mm Stroke 24Vdc Actuator

Standard Sizes– Selection Table

Part Number	Throat Width (mm)	Throat Depth (mm)	Throat Free Area* (m ²)	Unit Dimensions (mm)	Builderwork Opening (mm)
AOVF-0411	470	1120	0.4	600w x 1250h	610 x 1260
AOVF-0611	600	1200	0.6	730w x 1330h	740 x 1340

* Minimum aerodynamic free area achieved under powered extraction

Actuator– Electrical Specification*

Voltage	24Vdc ± 10%	24Vdc ± 10%
Stroke Length	350mm	250mm
Force Push/ Pull	1200N	1200N
Current Consumption	2.5A (max)	2.5A (max)
Speed	12mm/s (no load)	12mm/s (no load)
Protection Class	IP54	IP54
Ambient Temperature	-15 to ± 40°C	-15 to ± 40°C
Limit Stop	Internal Limit Switch	Internal Limit Switch
MAOV Shaft Depth & Minimum Clearance to suit Actuator Stroke	755mm	555mm

*Actuator specification. AOVF units are fitted with a single actuator wired to an internal junction box.